

PADDY HUSKER



YSA-100



Closed Circuit Type

**Fowler Westrup Offers State of Art Japanese
Technology for Rice Processing**

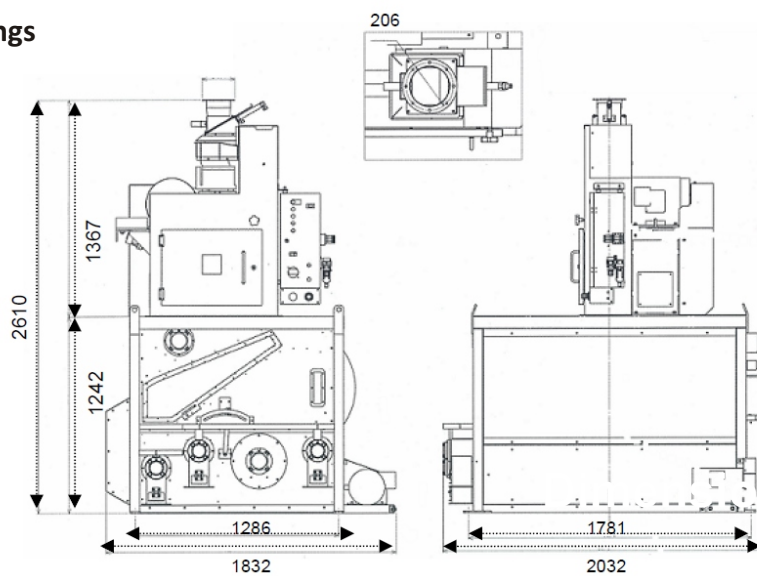
Get the Best -In- Class Advantages with Fowler Westrup

Fowler Westrup gives you the assurance of hi-tech equipment with superior performance and absolute reliability, comprehensive safety and durability in addition to highest quality standard.

Features

1. High husking efficiency & minimal broken
2. Automatic husking & Easy aspiration settings
3. Easy operation & settings
4. Demonstrating of steady ability

Dimensions



Specifications

Model Name		YSA-100
Dimensions (mm) (Standard specific)	Length (mm)	2032
	Width (mm)	1832
	Height (mm)	2610
Rubber Roll (Inch)		10
Input Capacity (T/h)		5 to 6
Net Weight (Kg)		1300
Power (KW) 3 Phase 415 V (Head)		7.5
Power (KW) 3 Phase 415 V(Aspirator)		3.9

* Above specifications may change due to Fowler Westrup's continuous development program.

* Precise capacity depends on paddy variety & quality of raw material.

FOWLER WESTRUP (INDIA) PVT. LTD.

(A joint venture of John Fowler, India & Westrup, Denmark)

Plot No. 60 - 63, KIADB Industrial Area, IV Phase

Malur - 563130, Kolar Dist. Karnataka, India

E-mail: fwl@fowlerwestrup.com Fax: +91 8152 282555

Fowler Westrup - Creating a Greener & Cleaner World... Store Clean Recycle

Contact:

Malur: +91 8152 282500 / Mob: +91 9945241738

Delhi: +91 11 29942741/29942742

Mumbai: +91 22 25916456/59

Kolkata: +91 33 24646586

