

ABRASIVE WHITENER



XPA-25



**Fowler Westrup Offers State of Art Japanese
Technology for Rice Processing**

Get the Best -In- Class Advantages with Fowler Westrup

Fowler Westrup gives you the assurance of hi-tech equipment with superior performance and absolute reliability, comprehensive safety and durability in addition to highest quality standard.

Features

1. High Milling Yield

The objective of ideal abrasive milling is to remove only bran uniformly, without affecting starch layer. XPA25 makes its easy to scrap the surface and helps to raise the frictional properties for further milling process. The rice milling yield hence evolves further.

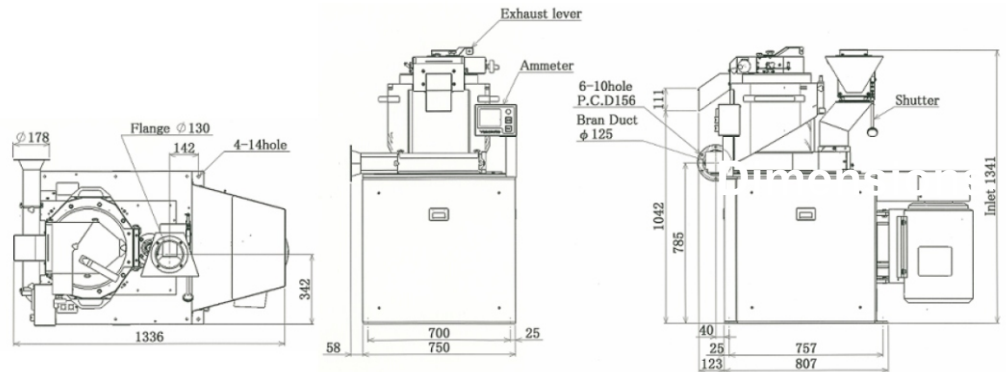
2. New milling structure with compact design

Compact design and large capacity. Hence installation space is very small.

3. Easy maintenance

Because of its simple structure, machine parts can be easily replaced.

Dimensions



Specifications

Model Name		XPA-25
Dimensions (mm) (Standard specific)	Length (mm)	1336
	Width (mm)	808
	Height (mm)	1341
Input Capacity (T/h)		2 to 5
Net Weight (Kg)		400
Height of milled rice outlet (mm)		1042
Required Air Volume (cu m/min)		12
Required Static Pressure (Kpa)		>1
Power (KW) 3 Phase 415 V		18.5

* Above specifications may change due to Fowler Westrup's continuous development program.

* Precise capacity depends on brown rice variety & quality of raw material.

FOWLER WESTRUP (INDIA) PVT. LTD.

(A joint venture of John Fowler, India & Westrup, Denmark)

Plot No. 60 - 63, KIADB Industrial Area, IV Phase

Malur - 563130, Kolar Dist. Karnataka, India

E-mail: fwl@fowlerwestrup.com Fax: +91 8152 282555

Fowler Westrup - Creating a Greener & Cleaner World... Store Clean Recycle

Contact:

Malur: +91 8152 282500 / Mob: +91 9945241738

Delhi: +91 11 29942741/29942742

Mumbai: +91 22 25916456/59

Kolkata: +91 33 24646586

