

# PADDY SEPARATOR



## SE-500



**Fowler Westrup Offers State of Art Japanese  
Technology for Rice Processing**

# Get the Best -In- Class Advantages with Fowler Westrup

Fowler Westrup gives you the assurance of hi-tech equipment with superior performance and absolute reliability, comprehensive safety and durability in addition to highest quality standard.

## Features

### 1. Steady and Superior Performance

Adjustments during operation isn't necessary because of its constant and steady separating performance.

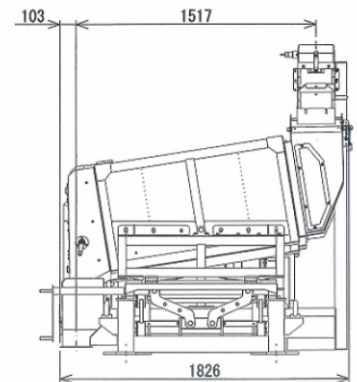
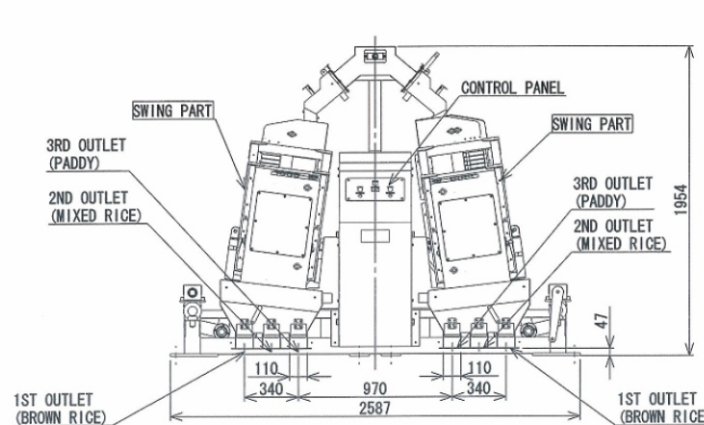
### 2. Minimized Installation Space

Compact design and large capacity. Installation space is very small.

### 3. Automatic Stop Device

Machine automatically stops as soon as the bin becomes nearly empty.

## Dimensions



## Specifications

Model Name		SE-500
Dimensions (mm) (Standard specific)	Length (mm)	2587
	Width (mm)	1865
	Height (mm)	1955
Input Capacity (T/h)		5 to 6
Net Weight (Kg)		1330
Power (KW) 3 Phase 415 V		2.2

\* Above specifications may change due to Fowler Westrup's continuous development program.

\* Output capacity may differ by the mixing ratio of paddy and brown rice to be separated.

## FOWLER WESTRUP (INDIA) PVT. LTD.

(A joint venture of John Fowler, India & Westrup, Denmark)

Plot No. 60 - 63, KIADB Industrial Area, IV Phase

Malur - 563130, Kolar Dist. Karnataka, India

E-mail: fwl@fowlerwestrup.com Fax: +91 8152 282555

*Fowler Westrup - Creating a Greener & Cleaner World... Store Clean Recycle*

Contact:

Malur: +91 8152 282500 / Mob: +91 9945241738

Delhi: +91 11 29942741/29942742

Mumbai: +91 22 25916456/59

Kolkata: +91 33 24646586

