

Fowler Westrup Pre-Cleaner

SI



The Fowler Westrup Pre-Cleaner Type SI has been designed to master pre-cleaning processes at intake plants. It is also ideally suited to dress malting barley and milling wheat / paddy to the highest quality commercial sample at a reduced throughput.

The machine is constructed of steel with sieve boats made of laminated wood.

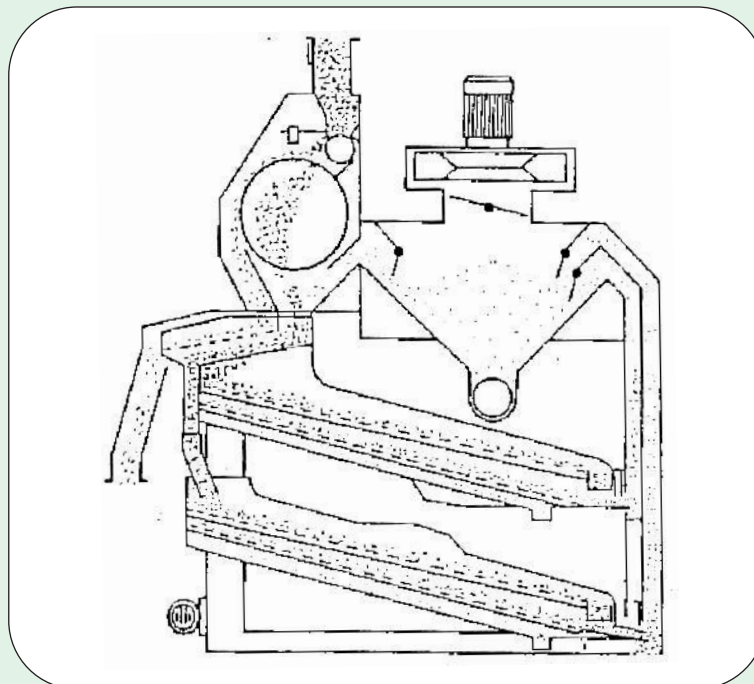
FOWLER WESTRUP PRE-CLEANER - SI

Standard Construction

- With inlet with feed roll, straw drum Ø550 mm, pre-aspiration, tail aspiration and waste outlet on the right hand side (While viewing from feed end)
- With 2 sieve boats and each sieve boat with 1 scalping screen layer (2 screen parts) and 1 grading / sand screen layer (2 screen parts). All screens with rubber ball cleaning
- With built-on fan, firm drive and motors incl. One set of screens (field perforated) + ball frames

Technical Data	UOM	SI 50	SI 70
Screen size L = 1000mm X W mm	mm	1000	1500
Screen Area	m ²	8.00	12.00
Motor, Fan	HP	7.5	10.0
Motor, Sieve boat	HP	2.0	3.0
Air Volume	m ³ /Hr	8000	10500
Cyclone dia (Not in our scope)	mm	1400	1600
Net Weight app.	Kg	1400	1950
No. of Rubber Balls/Machine	Pcs	672	1120
Length of Bottom Frame	mm	2400	2400
Width of Bottom Frame	mm	1210	1710
Machine Ht. without Fan	mm	3200	3200
Fan Height	mm	745	875
Capacity* Pre-Cleaning (On wheat Basis)	Ton/Hr	50-55	70-80
Capacity* Pre-Cleaning (on Paddy Basis)	Ton/Hr	15-20	30-35

*Capacities are based on wheat at max 18% moisture content and may vary depending on the amount of waste material.



We reserve the right to amend specifications without notice.

FOWLER WESTRUP (INDIA) PVT. LTD.

A joint venture of John Fowler, India & Westrup, Denmark

Plot No. 249 & 250, Bommasandra Industrial Area, 3rd Phase, Bangalore-560 099

Tel: +91-80-27832992, Mob: +91-9945241738, Fax: +91-80-27831594,

e-mail: fwl@fowlerwestrup.com, www.fowlerwestrup.com

Contact: **Delhi:** +91-11-29942741/29942742, **Mumbai:** +91-22-25916459, **Kolkata:** +91-33-24646586

