

Fowler Westrup Pre-Cleaner



SAB



The Fowler Westrup Pre-Cleaner Type SAB is intended to master the pre-cleaning problems at intake plants. The SAB is also ideal to dress malting barley and milling grain to the highest quality commercial sample at a reduced throughput.

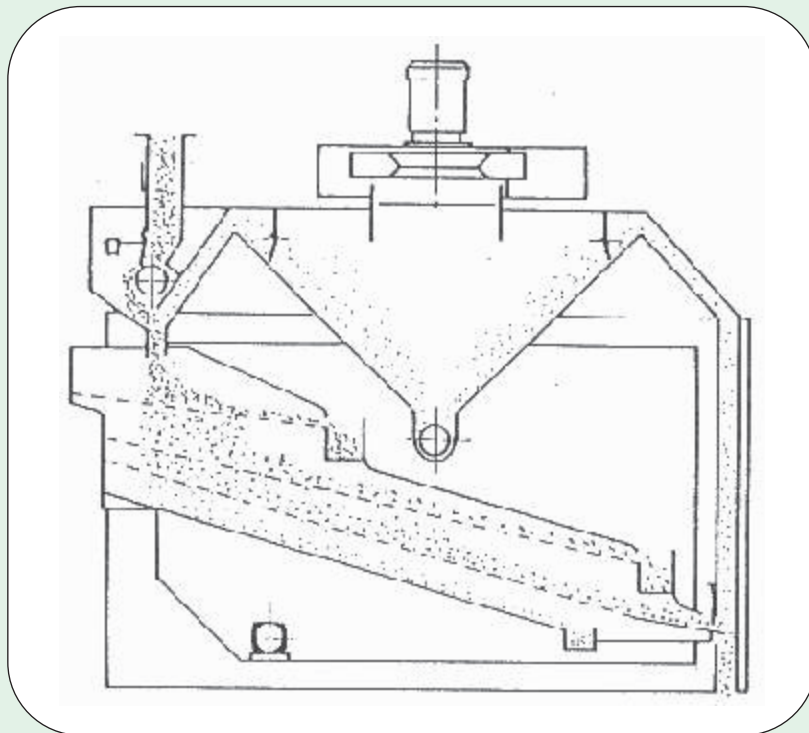
FWLER WESTRUP PRE-CLEANER - SAB

Standard Construction

- With inlet with feed roll, pre-aspiration, tail aspiration and waste outlet on the right hand side (While viewing from feed end)
- With one sieve boat with one short scalping screen layer (1 screen part), one long grading screen layer (2 screen parts) and one long sand screen layer (2 screen parts)
- With built-on fan, firm drive & motors
- Incl. one set of screens (field perforated) + ball frames

Technical Data-Type SAB	UQM	SAB 600	SAB 800	SAB 1000	SAB 1500
Screen size L = 1000mm x W mm	mm	600	800	1000	1500
Screen Area	m ²	3.00	4.00	5.00	7.50
Motor, Fan	HP	5.0	5.0	7.5	7.5
Motor, Sieve boat	HP	1.5	1.5	1.5	2.0
Air Volume	m ³ /hr	5000	5000	6500	8000
Cyclone dia (Not in our scope)	mm	950	950	1200	1400
Net weight app.	Kg	500	550	850	1450
No of Rubber Balls / Machine	Pcs	280	420	420	700
Length of Bottom Frame	mm	2700	2700	2700	2700
Width of Bottom Frame	mm	810	1010	1210	1710
Machine Ht. without fan	mm	2050	2050	2050	2050
Fan Height	mm	625	650	715	745
Capacity* Pre-cleaning (On Wheat Basis)	Ton/Hr	8-12	15.20	20-30	40-50
Capacity* Pre-cleaning (On Paddy Basis)	Ton/Hr	3-5	5-8	8-10	12-15

*Capacities are based on wheat at max 18% moisture content and may vary depending on the amount of waste material.



We reserve the right to amend specifications without notice.

FOWLER WESTRUP (INDIA) PVT. LTD.

A joint venture of John Fowler, India & Westrup, Denmark

Plot No. 249 & 250, Bommasandra Industrial Area, 3rd Phase, Bangalore-560 099

Tel: +91-80-27832992, Mob: +91-9945241738, Fax: +91-80-27831594,

e-mail: fwl@fowlerwestrup.com, www.fowlerwestrup.com

Contact: **Delhi:** +91-11-29942741/29942742, **Mumbai:** +91-22-25916459, **Kolkata:** +91-33-24646586

