

# Fowler Westrup Fine-cleaner

**UB/ UB-4**

- 600 / -1000 / -1250 / -1500



The Fowler Westrup UB/ UB-4 Universal Separator is especially used for fine cleaning and grading of light and heavy seeds, cereals, and granulated products. The machine can also be equipped to suit a variety of special jobs and purposes.

The machine is constructed of steel with sieveboat of laminated wood.

## FOWLER WESTRUP FINE-CLEANER UB

### Standard Construction:

- With inlet with feed roll with variable speed from eccentric shaft, pre-aspiration, false aspiration, tail aspiration and waste outlet on the right hand side (While viewing from feed end)
- With 1 sieve boat with 1 short scalping screen layer (1 screen part), 1 long grading screen layer (3 screen part) and 1 long sand screen layer (3 screen part)
- With built-on fan, firm drive and motors
- Incl. one set of screens (field perforated) + ball frames

Technical Data	UOM	UB - 600	UB - 1000	UB - 1250	UB - 1500
Screen size L = 800 mm x W mm	mm	600	1000	1250	1500
Screen Area	m <sup>2</sup>	3.36	5.60	7.00	8.40
Motor, Fan	HP	5.00	7.50	7.50	7.50
Motor, Sieve boat	HP	1.50	1.50	2.00	2.00
Air Volume	m <sup>3</sup> /hr	5000	6500	6500	8000
Cyclone dia (Not in our scope)	mm	950	1200	1200	1400
Net Weight app.	Kg	825	1050	1150	1275
No. Of Rubber Balls/Machine	Pcs	336	504	672	840
Length of Bottom Frame	mm	2920	2920	2920	2920
Width of Bottom Frame	mm	810	1210	1460	1710
Machine Ht. without Fan	mm	2010	2010	2010	2010
Fan Height	mm	625	730	730	760
Capacity* Fine Cleaning (On Wheat Basis)	Ton/Hr	1.40-1.60	2.80-3.20	3.60-4.00	4.30-4.80
Capacity* Fine Cleaning (On Rice Basis)	Ton/Hr	1.00	2.50	3.50	4.00

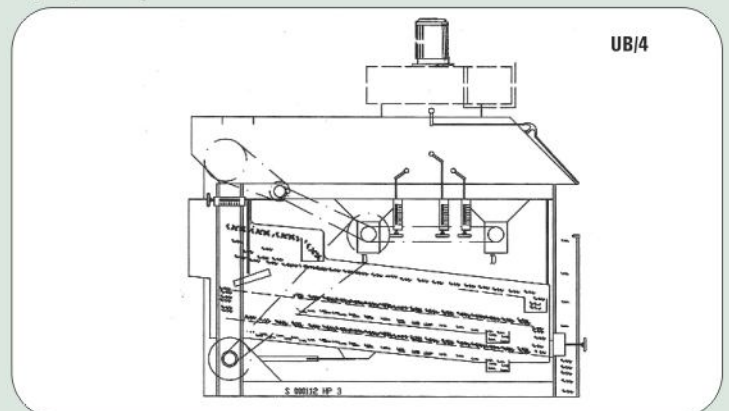
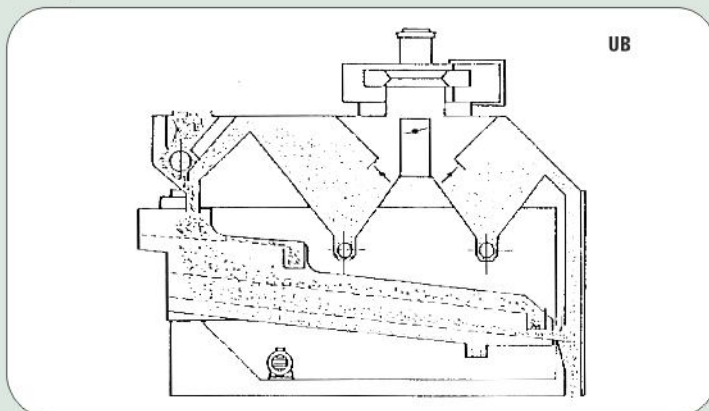
## FOWLER WESTRUP UB-4 FINE CLEANER

### Standard Construction:

- Inlet with feed roll with variable speed from eccentric shaft
- Pre-aspiration chamber with auger
- Sieveboat with 1 short scalping screen layer (1 screen part), 2 long grading screen layer (3 screen parts), and 1 long sand screen layer (3 screen parts)  
All screens with rubber ball cleaning
- Final aspiration chamber with auger
- Built-on fan, fixed speed drive, and motors

Technical Data: Type UB/4	UOM	UB - 600/4	UB - 1000/4	UB - 1250/4	UB - 1500/4
Screen size L = 800 mm x W mm	mm	600	800	1000	1250
Screen Area	m <sup>2</sup>	4.80	8.00	10.0	12.0
Motor, Fan	HP	5.00	7.50	7.50	7.50
Motor, Sieve boat	HP	1.50	1.50	2.00	2.00
Air Volume	m <sup>3</sup> /hr	5000	6500	6500	8000
Cyclone dia (Not in our scope)	mm	950	1200	1200	1400
Net Weight app.	Kg	825	1050	1150	1275
No. Of Rubber Balls/Machine	Pcs	336	504	672	840
Length of Bottom Frame	mm	2920	2920	2920	2920
Width of Bottom Frame	mm	810	1210	1460	1710
Machine Ht. Without Fan	mm	2010	2010	2010	2010
Fan Height	mm	625	730	730	760
Capacity* Fine Cleaning on Wheat	Ton/Hr	1.4-1.6	2.8-3.2	3.6-4.0	4.3-4.8
Capacity* Fine Cleaning on Rice	Ton/Hr	1.00	2.00	3.00	4.00

\*Capacities are based on wheat at max 18% moisture content and may vary depending on the amount of waste material.



*We reserve the right to amend specifications without notice.*



## FOWLER WESTRUP (INDIA) PRIVATE LIMITED

A joint venture of John Fowler, India and Westrup & IFU, Denmark

Plot 249 & 250, Bommasandra Industrial Area, 3rd Phase, Bangalore 560 099.

Tel: 080 783 2992 Fax: 080 783 1594 Email: fwl@fowlerwestrup.com

Visit us at: [www.fowlerwestrup.com](http://www.fowlerwestrup.com)

Branch Office: Delhi: 98118 05303 / 98714 10948, Mumbai: 93238 05987,

Kolkata: 94331 37850, Bangalore: 94481 93634, Coimbatore: 94433 19378